

**NEW GENERATION
CENTRIFUGAL JUICE EXTRACTOR**
"Miracle Edition" #68



NEW !
The best juicer
the market
has ever had

Best performance

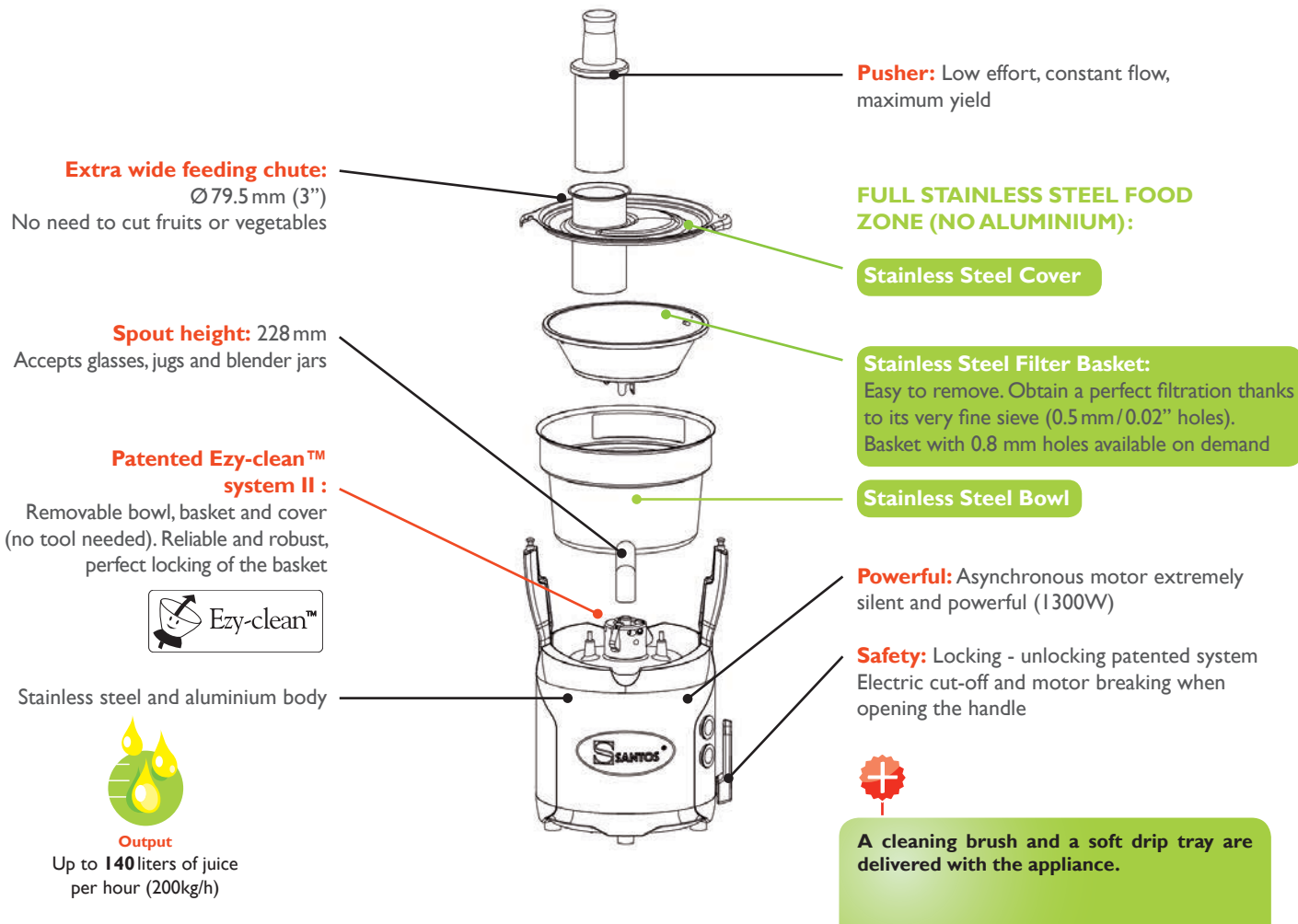
Extreme simplicity

Unsurpassed reliability

Internationally patented models

NEW DESIGN FOR MORE EFFICIENCY

The centrifugal juice extractor "Miracle Edition" #68 is the result of Santos 60 years worldwide experience. The Miracle Edition offers you high efficiency with an innovative design. More powerful, more robust and easier to clean, this new generation juice extractor is dedicated to juice bars, hotels, restaurants...



THE FULL JUICE BAR SOLUTION

Santos is the specialist of the professional juicing since 1954 and the only manufacturer in the world to provide **THE FULL JUICE BAR SOLUTION** : Citrus Juicers + Juice Extractors + Blenders!



Santos
Worldwide leader in commercial juicers!



video

RELIABILITY, STURDINESS, PERFORMANCE

- **Full stainless steel food-zone** : no aluminium
- **Ezy-Clean™ System** : removable basket, bowl and cover (no tool needed). Easy cleaning.
- **Extremely sturdy** : 100% metal
- **Extra wide feeding chute** : you can put entire fruits and vegetables (time-saving).
- **Output up to 140l/h** : adapted to intensive use
- **Maximum juice extraction** : high quality juice without any pulp, even for intensive use
- **Preservation of vitamins**



Juice bar version #68J

- This juicer is delivered with a **pulp tube**, which goes directly through your counter to the waste collector below.



Chefs and Patisserie kit #68 I 10

- **Filtration basket** with 0.8 mm holes, for more creamy coulis, and for fiber fruits (ex: pineapple)
- **I wide feed tray** to place fragile fruits, or pour liquid preparations...



NEW

Auto-Clean Basket

- Better output
- Less cleaning

TECHNICAL SPECIFICATIONS



Motor

Single phase: 100-120V – 50/60 Hz – 1300W
CE, NSF, UL, ROHS
220-240V – 50/60 Hz – 1300 W
CE, NSF, KC, ROHS

Speed: 3 000 rpm (50 Hz)
3 600 rpm (60 Hz)



Weight

Net : 26Kg (57 lbs)
Shipping : 28,8Kg (63,5 lbs)



APPLIANCE
L: 320 mm / 12,6"
P: 480 mm / 19"
H: 580 mm / 23"



SHIPPING BOX
L: 370 mm / 14,6"
P: 660 mm / 26"
H: 590 mm / 23.2"

SAFETY, STANDARDS, HYGIENE

In accordance with the following regulations

Machinery directive 2006 / 42 / EC
Electromagnetic compatibility 2014 / 30 / EU
"Low voltage" directive 2014 / 35 / EU
RoHS directive 2011 / 65 / EU
Regulation 1935 / 2004 / EC (contact with food)
Regulation 10 / 2011 / EU (Plastic in contact with food)

Harmonized European standards

EN ISO 12100 : 2010
EN 60204-1 + A1 : 2009
EN 12547 : 2014 Juice Extractors
EN 60335-2-64 : 2004 Commercial electric kitchen machines

CE Marking, NSF (USA), UL (USA) and cUL (Canada)

Thermal safety

Motor protected by thermal detector and overload protector.

Electrical safety

- On/ off switch detects no voltage.
- All mechanical parts are ground connected.
- Appliances are 100% tested after assembly.

Acoustic safety

Silent asynchronous motor.

Mechanical safety

A friction brake immediately stops the basket when opening the handle.

Hygiene

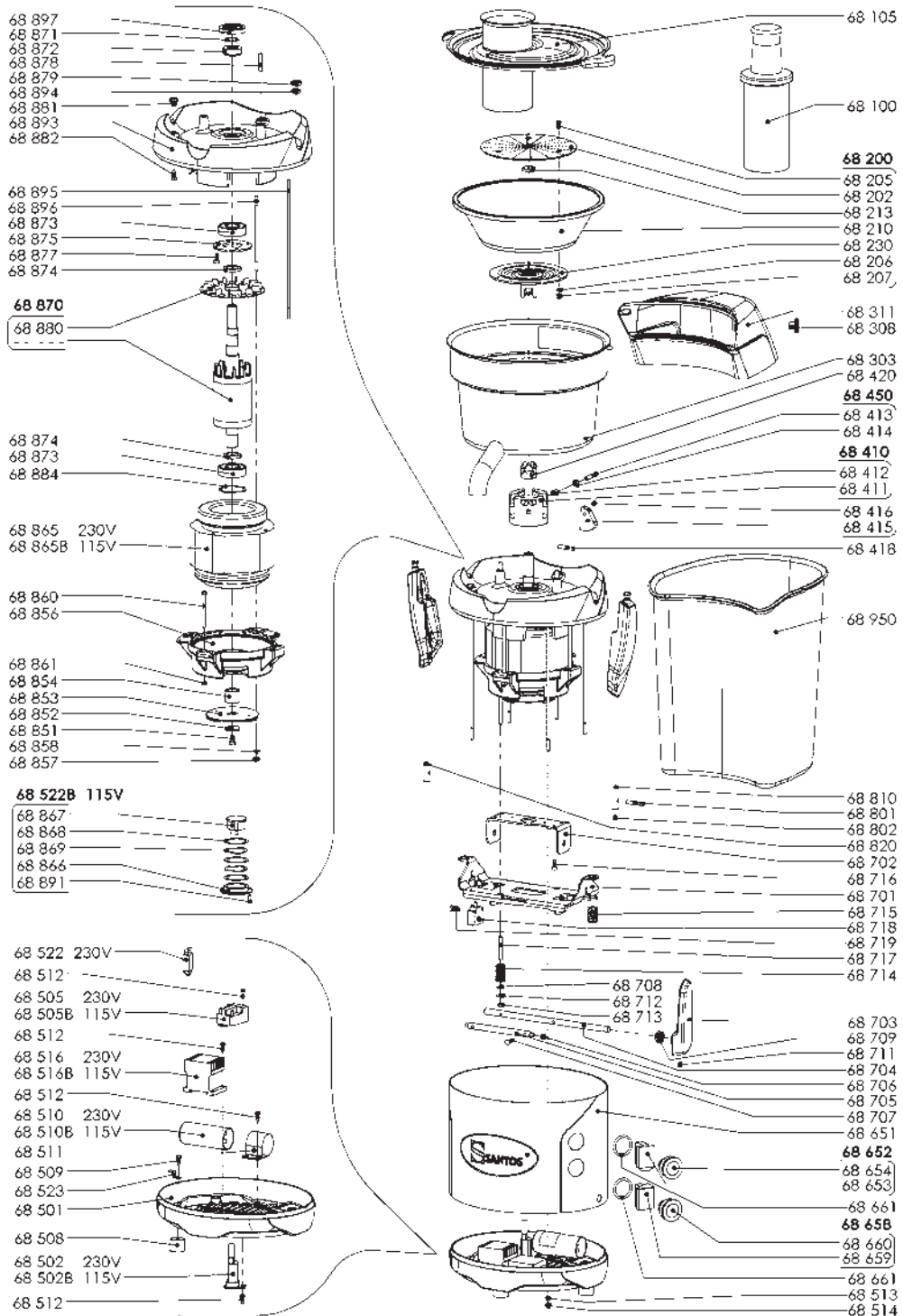
All removable parts can be put in a dishwasher or easily cleaned with hot soapy water.

NEW GENERATION CENTRIFUGAL JUICE EXTRACTOR

"Miracle edition" #68



www.santos.fr



SANTOS

140-150, avenue Roger Salengro BP 80 067 - 69511 Vaulx-en-Velin Cedex (Lyon) FRANCE

Tel. +33 4 72 37 35 29 – Fax. +33 4 78 26 58 21 – Website : www.santos.fr – Email : santos@santos.fr

Follow us on #SantosAddict social networks